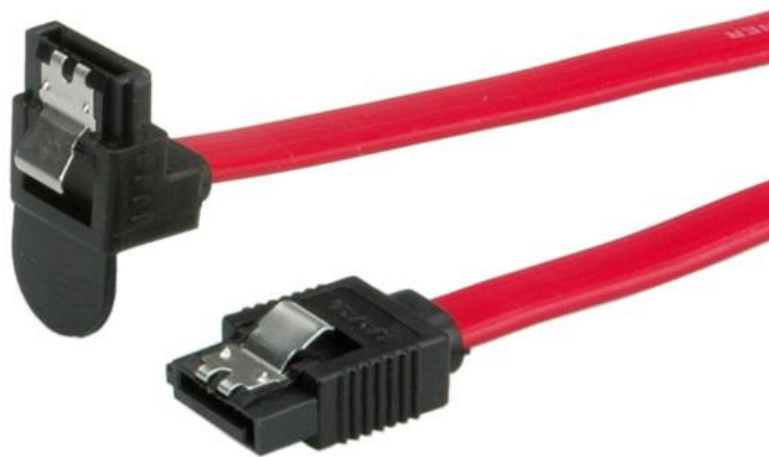




Datenblatt - Fiche technique - Data sheet

**11.03.1564**

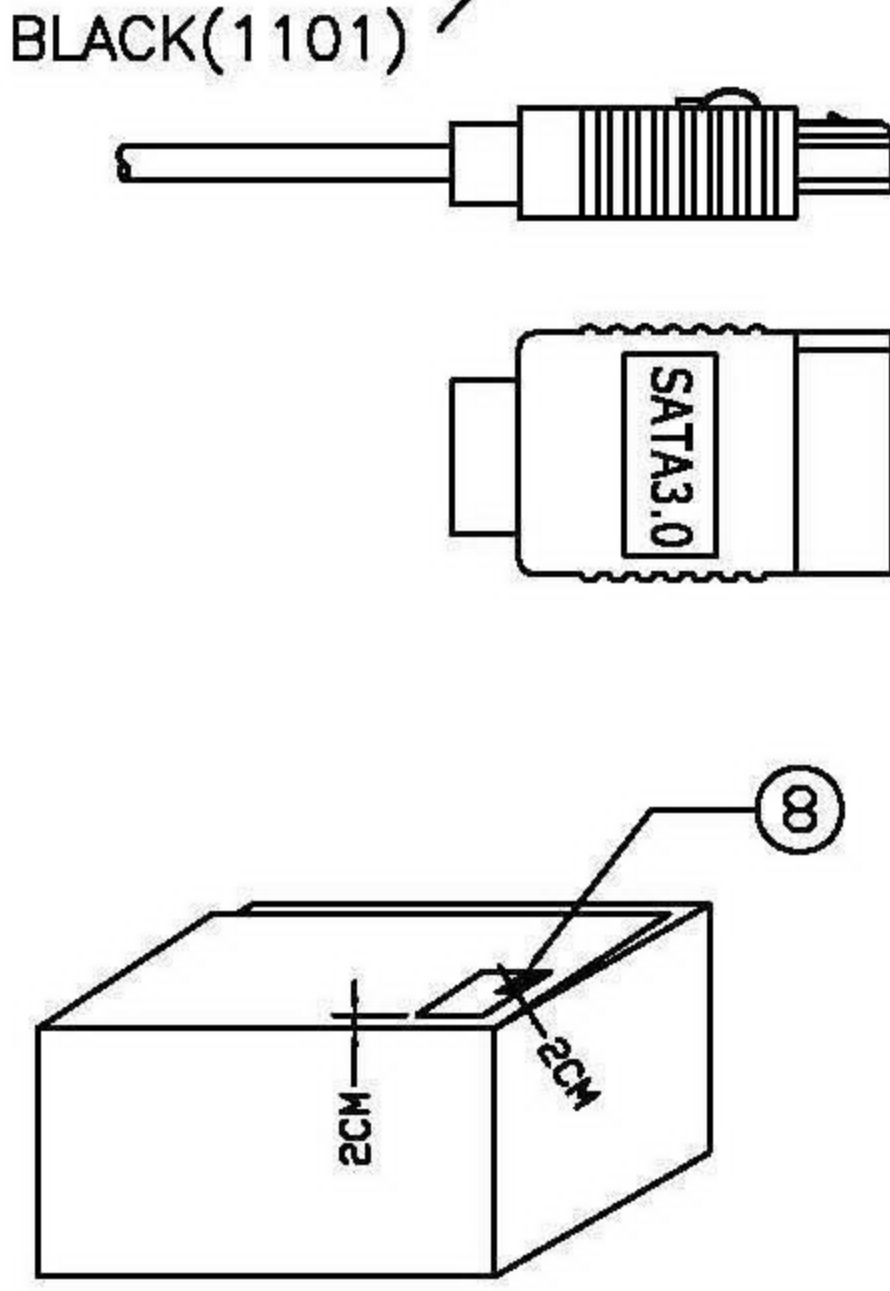
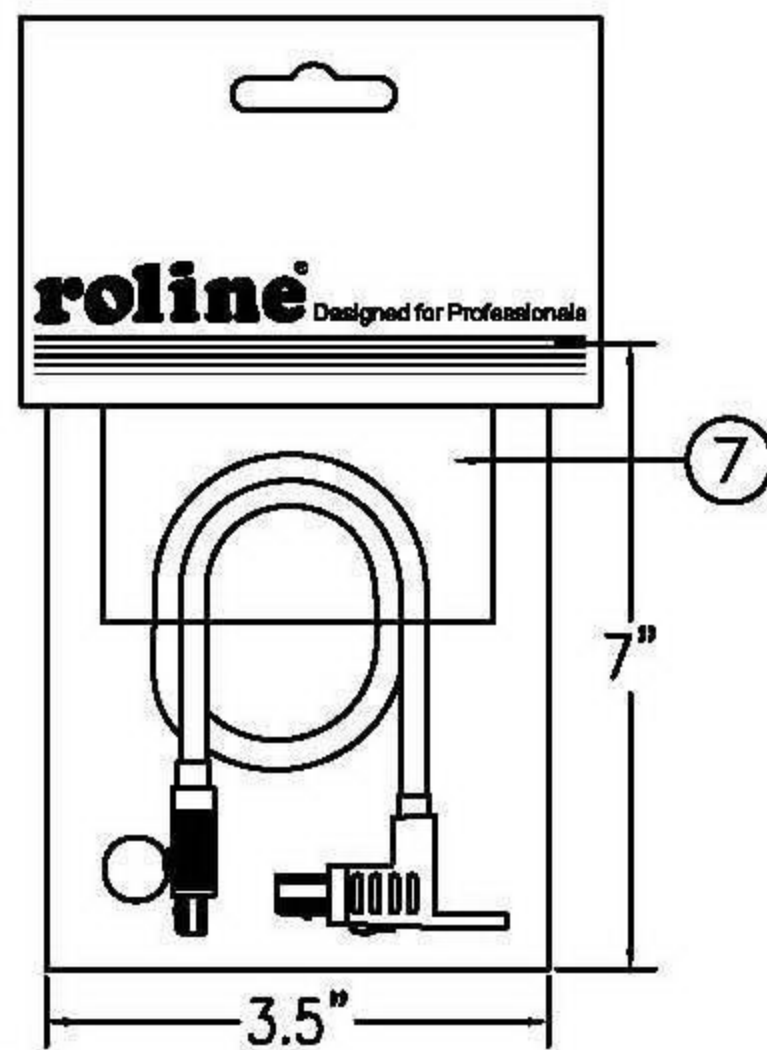
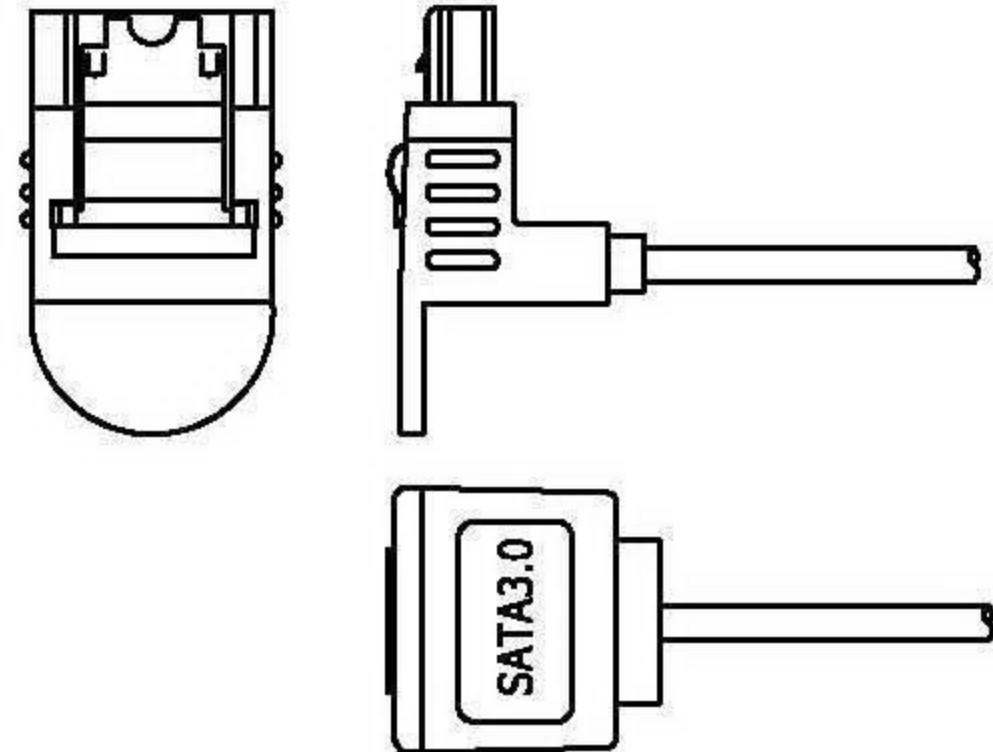
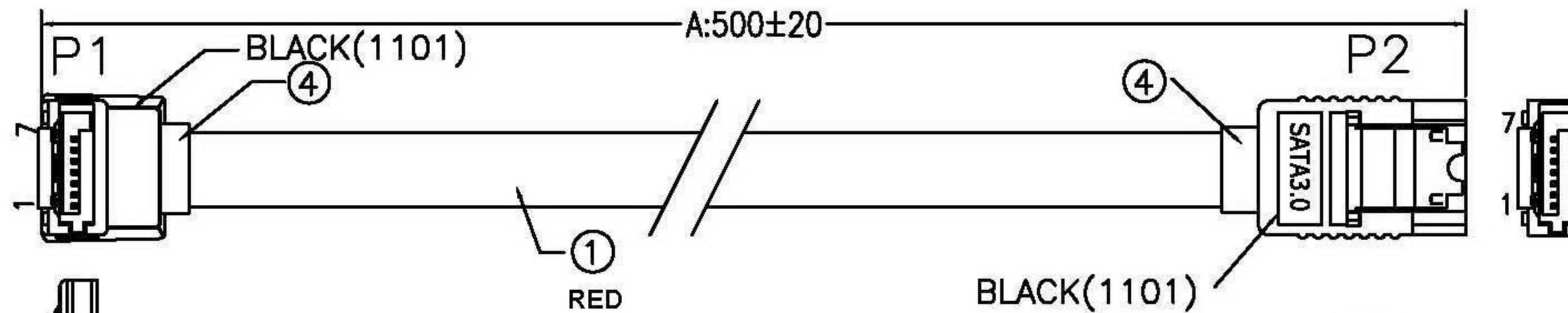


ROLINE Int. SATA 6.0 Gbit/s HDD-Kabel mit Schnappverschluss, gewinkelt,  
0,5m

ROLINE Câble SATA 6.0 Gbit/s interne avec attache, coudé, 0,5 m

ROLINE Internal SATA 6.0 Gbit/s Cable, angled, with Latch, 0.5 m

unit: mm



PINOUT:

1	DRAIN	1 G
2	SIGNAL(WHITE)	2 DR+
3	SIGNAL(WHITE)	3 DR-
4	DRAIN	4 G
5	SIGNAL(WHITE)	5 DT-
6	SIGNAL(WHITE)	6 DT+
7	DRAIN	7 G

- NOTE:
- 1) CONDUCTOR RESISTANCE: 1 Ω Max;  
INSULATION RESISTANCE: 50M Ω Min;  
HI-POT: DC 300V;  
SHORT AND OPEN 100% TESTING  
DIE NO.: P1 OZ07105 P2 OZ07101
  - 2) RoHS COMPLIANT.
  - 3) 1PCS/PE BAG+HEADER PAPER+LABEL(7).
  - 4) 25PCS/INNER BOX+LABEL(8).
  - 5) 2PCS INTO A OUTER BOX.

4	INNER JACKET PE RoHS
3	OUTER JACKET 45Pa PVC BLACK(1101) RoHS
2	SATA 7PIN CONNECTOR BLACK PBT TERMINAL PLATED GOLD 3U"
1	SATA 3.0(2C*26AWG+AL+2D)*2C OD:2.2*7.6MM RED 500MM RoHS

A	FIRST EDITION	J.LLN	27/01/11
REV.	ECR	DESCRIPTION	C.N. DATE
		<b>Rotronic Co., Ltd.</b>	
UNLESS OTHERWISE SPECIFIED: DIMENSIONS ARE IN MILLIMETERS ANGULAR TOLERANCE: ±1.0°		ROLINE Internal SATA 6.0Gbit/s Cable, angled, 0.5m	
DIMENSIONS		TOLERANCE	CHKD. CONF.
0.00 TO 30.00mm		±0.10mm	
30.01 TO 80.00mm		±0.13mm	DR. J.LLN
80.01 TO 150.00mm		±0.15mm	APPD.
150.01mm		±0.20mm	
MATERIAL	MATERIAL		PART NO. 11.03.1564
FINISH	FINISH		SCALE SHEET 1/1 UNIT MM SIZE A4 REV. A